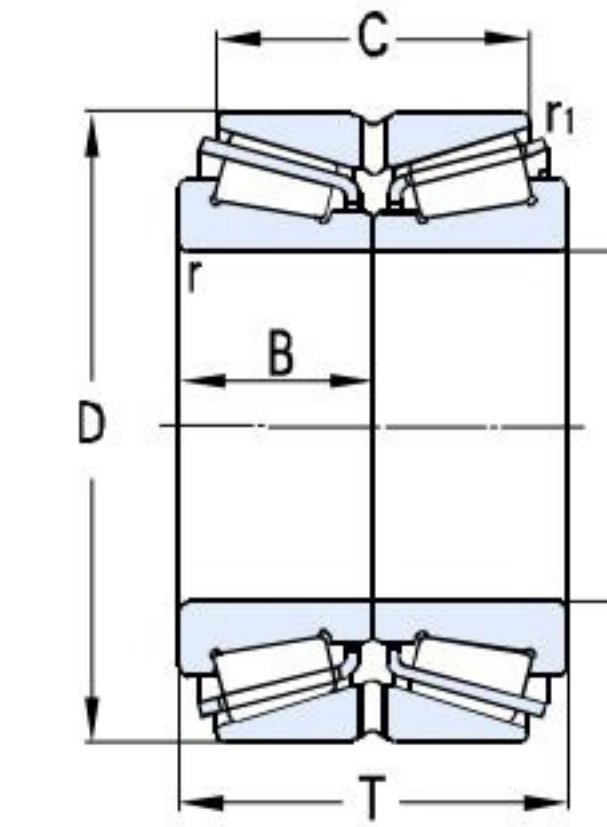
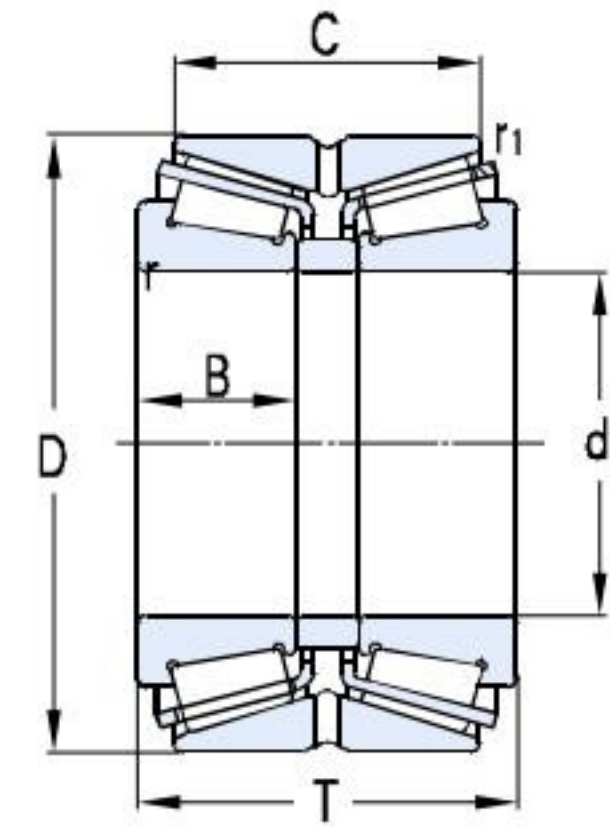


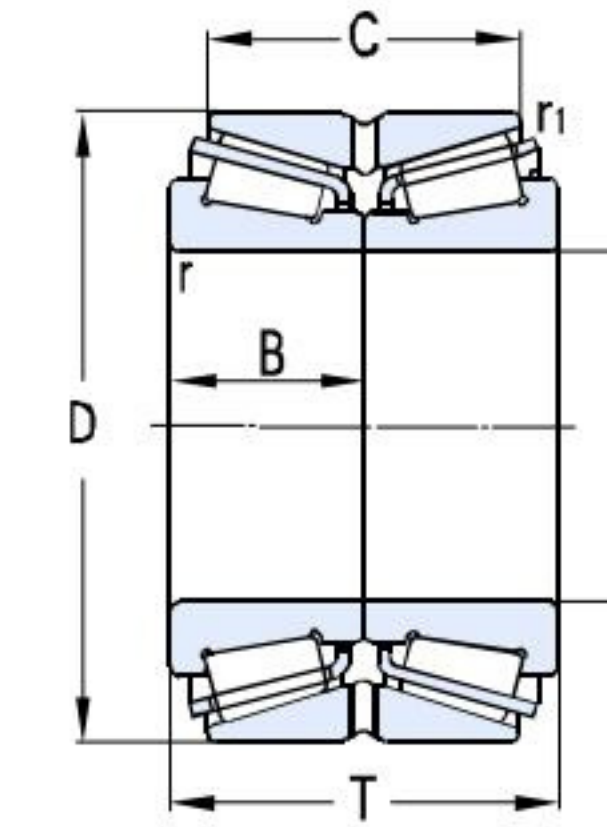
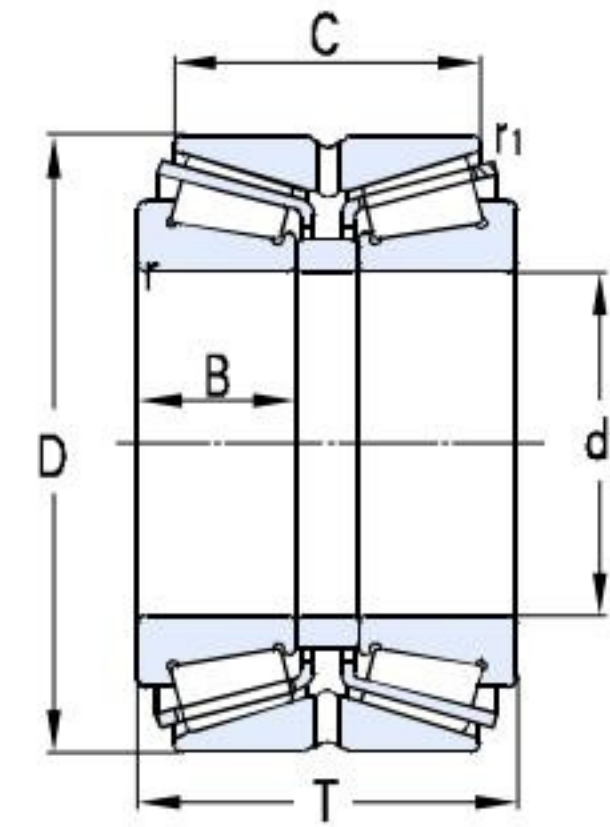
Double Row Tapered Roller Bearings (Imperial)



Basic dimensions												Basic load ratings		Limit speed		Designations	Calculation factor				Weight
d		D		T		B		C		rmin	r1min	Cr	Cor	Grease	Oil		e	Y1	Y2	Yo	
mm	in	mm	in	mm	in	mm	in	mm	in	mm	mm	KN		r/min							Kg
38.1	1.5	80.035	3.150984	57.15	2.25	23.698	0.933	44.958	1.77	0.8	0.8	131	194	4800	6400	K27880/K27820D	0.56	1.2	1.79	1.18	1.33
47.625	1.875	96.838	3.813	50	1.969	21.946	0.864	39.75	1.565	0.8	0.3	147	216	3700	5000	K386A/K382A/DB	0.35	2.07	3.08	2.02	1.58
52.388	2.0625	112.712	4.4375	65.088	2.5625	26.909	1.0594	46.038	1.8125	3.5	1.5	168	238	3600	4800	K55206/K55444D	0.88	0.76	1.14	0.75	2.87
57.15	2.25	107.95	4.25	65.09	2.563	29.317	1.154	53.975	2.125	2.3	0.8	211	292	3500	4700	K462/K452D	0.32	2.09	3.11	2.04	2.3
63.5	2.5	110	4.3307	60.33	2.3752	21.996	0.866	18.824	0.7411	1.5	0.5	156	242	3200	4300	K390A/K394A+K390A/K394AB/DB	0.4	1.68	2.5	1.64	2.22
65*		110*		62		28		51		3	0.6	224	362	3200	4300	KJM511946/KJM511910/DB	0.4	1.68	2.5	1.64	2.25
		120*		86		38.5		72		3	0.6	320	500	3100	4100	KJH211749/KJH211710/DB	0.34	2	2.98	1.96	3.89
69.85	2.75	146.05	5.75	91.516	3.603	39.688	1.5625	59.766	2.353	3.5	1	370	515	3000	3500	KH913849/KH913810/DB	0.78	0.86	1.28	0.84	4.86
76.2	3	180.975	7.125	114.3	4.5	53.183	2.094	77.79	3.063	3.5	0.5	335	420	1900	2600	H917840-90010	0.73	0.92	1.37	0.9	13.6
85.136	3.3518	139.992	5.5115	80.962	3.1875	80.134	3.1549	28.575	1.125	0.8	3.3	300	520	1900	2500	K579TD/K572	0.4	1.67	2.49	1.63	4.8
90*		147*		127		40		112		7	0.5	395	605	1800	2400	KHM218248/KHM218210/DB	0.33	2.03	3.02	1.98	6.88
92.075	3.625	152.4	6	82.55	3.25	36.322	1.43	63.5	2.5	3.5	0.8	380	585	1900	2500	598/592D	0.44	1.52	2.27	1.49	5.59
95.25	3.75	149.225	5.875	66.672	2.6249	28.971	1.1406	52.388	2.0625	3.5	0.8	260	490	1900	2500	42376/42587D	0.49	1.37	2.04	1.34	4.05
96.838	3.8125	188.912	7.4375	107.95	4.25	46.038	1.8125	69.85	2.75	3.5	1	270	345	1600	2200	K90381/K90744/DB	0.87	0.78	1.16	0.76	12.2
100.211	3.9453	168.275	6.625	95.25	3.75	95.25	3.75	30.162	1.1875	0.8	3.3	370	700	1800	2400	K688TD/K672	0.47	1.43	2.14	1.4	8.29
101.6	4	168.275	6.625	92.075	3.625	1.625	3.75	69.85	2.75	3.5	0.8	370	700	1800	2400	K687/K672D	0.47	1.43	2.14	1.4	7.43
		200.025	7.875	115.888	4.563	49.212	1.937	80.216	3.158	3.5	2.3	600	940	1600	2200	K98400/K98789D	0.63	1.07	1.59	1.04	13
107.95	4.25	165.1	6.5	88.9	3.5	44.514	1.7525	63.5	2.5	3.5	0.8	330	640	1800	2400	KNA56425SW/K56650D	0.5	1.36	2.02	1.33	6.37
110*		165*		80		35		62.413	2.457	3	0.8	335	640	1800	2400	JM822049-90N01	0.5	1.36	2.02	1.33	5.74
110	4.3307	180	7.0866	103	4.0551	103	4.0551	85		3	0.6	545	1020	1600	2200	KJHM522649/KJHM522610T103/DB	0.4	1.69	2.51	1.65	9.81

Note: * stand for the maximum value of ID or OD; SP means the nonstandard assembly chamfer.

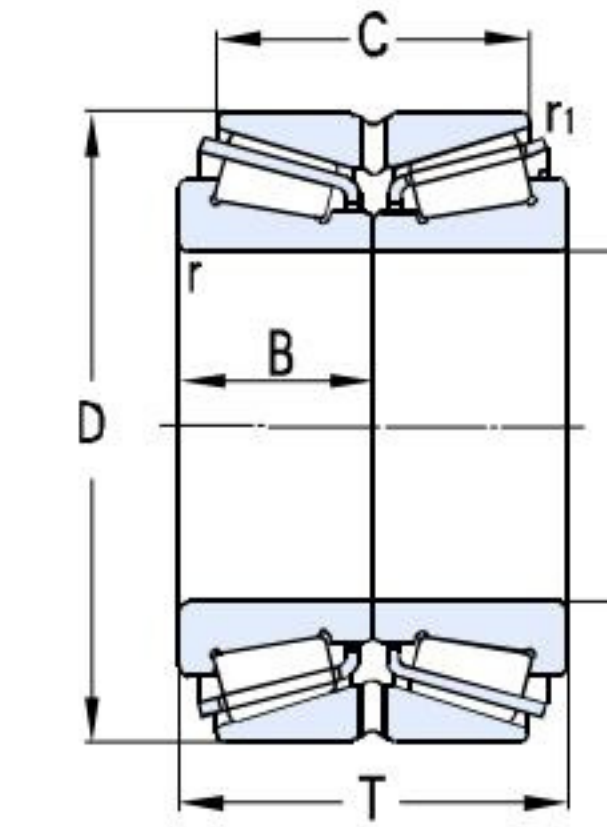
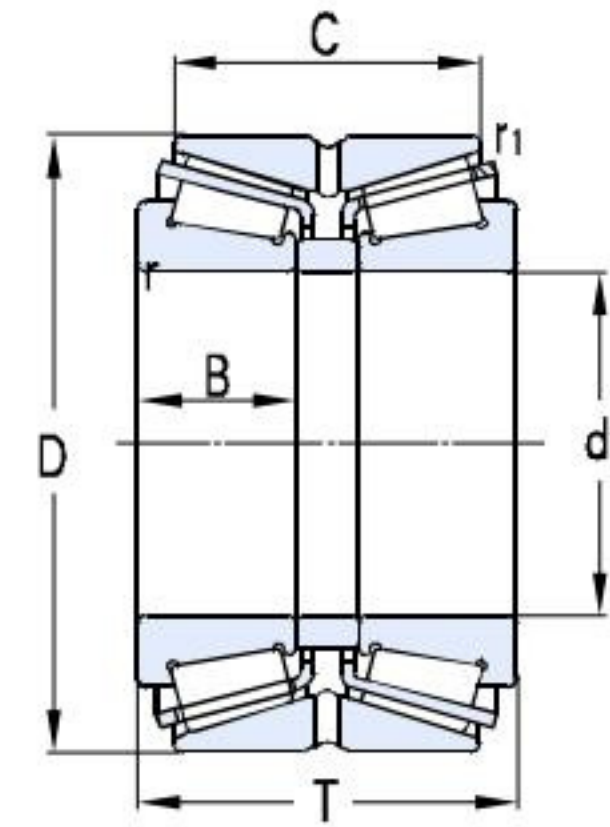
Double Row Tapered Roller Bearings (Imperial)



Basic dimensions												Basic load ratings		Limit speed		Designations	Calculation factor				Weight
d		D		T		B		C		rmin	r1min	Cr	Cor	Grease	Oil		e	Y1	Y2	Yo	
mm	in	mm	in	mm	in	mm	in	mm	in	mm	mm	KN		r/min							Kg
111.125	4.375	214.312	8.4375	115.888	4.5625	52.388	2.0625	84.138	3.3125	3.5	1.5	670	1100	1500	2000	KH924045/KH924010D	0.67	1	1.49	0.98	17.7
114.3	4.5	177.8	7	92.075	3.625	41.275	1.625	69.85	2.75	3.5	0.8	405	675	1600	2100	K64450/K64700D	0.52	1.29	1.92	1.26	8.01
		190.5	7.5	106.365	4.1876	49.212	1.937	80.962	3.1875	3.5	1.5	525	965	1600	2100	K71450/K71751D	0.42	1.62	2.42	1.59	11.3
		212.725	8.375	142.875	5.625	66.675	2.625	117.475	4.625	7	1.5	810	1390	1500	2000	K938/K932CD	0.33	2	3	2	20.8
120.65		174.625	6.875	77.787	3.062	36.512	1.437	61.912	2.437	3.5	0.8	360	730	1500	1800	KM224749/KM224710D	0.33	2	3	2	11.3
124.943	4.919	234.95	9.25	142.875	5.625	63.5	2.5	114.3	4.5	6.4	1.5	885	1620	1300	1600	K95491/K95927D	0.37	1.83	2.72	1.79	26.9
127	5	182.562	7.1875	72.6	2.8583	72.6	2.8583	33.338	1.3125	1.5	3.3	375	815	1200	1500	K48290DW/K48220	0.31	2.21	3.29	2.16	6.38
		228.6	9	115.888	4.5625	49.428	1.946	84.138	3.3125	3.5	2.3	790	1350	1200	1500	KHM926747/KHM926710D	0.74	0.92	1.36	0.9	19.1
		234.95	9.25	142.875	5.625	63.5	2.5	114.3	4.5	6.4	1.5	885	1620	1200	1500	K95500/K95927D	0.37	1.83	2.72	1.79	26
127.792	5.0312	288.6	11.3622	115.888	4.5625	49.428	1.946	84.138	3.3125	3.5	2.3	790	1350	1200	1500	KHM926749/KHM926710D	0.74	0.92	1.36	0.9	18.8
133.35	5.25	196.85	7.75	92.075	3.625	92.075	3.625	38.1	1.5	1.5	3.3	590	1250	1200	1500	K67390D/K67322	0.34	1.96	2.92	1.92	9.68
136.525	5.375	215.9	8.5	123.825	4.875	123.825	4.875	34.925	1.375	1.5	3.3	550	1020	1200	1500	K74539TD/K74850	0.32	2.12	3.15	2.07	9.9
		228.6	9	123.825	4.875	57.15	2.25	98.425	3.875	3.5	1.5	705	1350	1200	1500	K896/K892D	0.42	1.61	2.39	1.57	19.9
139.7	5.5	200.025	7.875	77.788	3.0625	75.408	2.9688	34.13	1.3437	0.8	3.3	475	955	1200	1500	K48680D/K48620	0.34	2.01	2.99	1.96	8.18
		215.9	8.5	106.362	4.187	47.181	1.858	80.962	3.187	3.5	1.5	550	1020	1200	1600	K74550/K74851CD	0.32	2.12	3.15	2.07	9.94
		236.538	9.3125	131.763	5.188	56.642	2.23	106.363	4.1875	3.6	1.6	700	1390	1200	1500	82550/82932D	0.44	1.52	2.27	1.49	23.4
		244.475	9.625	107.95	4.25	53.975	2.125	79.375	3.125	3.5	1.5	610	1100	1200	1500	NA81550/81963D	0.35	2.07	3.08	2.02	19.3
142.875	5.625	200.025	7.875	87.315	3.438	39.688	1.5625	73.025	2.875	3.5	0.8	430	1030	1300	1700	48685/48620D	0.34	2.01	2.99	1.96	8.15
		200.025	7.875	93.665	3.688	46.832	1.8438	75.025	2.9537	3.5	0.8	430	1030	1300	1700	NA48685SW/48620D	0.34	2.01	2.99	1.96	8.82
		236.538	9.3125	131.763	5.188	56.642	2.23	106.363	4.1875	3.6	1.6	715	1400	1200	1500	82562/82932D	0.36	1.88	2.8	1.84	23.3
147.638	5.8125	241.3	9.5	133.35	5.25	132.334	5.21	44.45	1.75	3.3	1.5	700	1400	1200	1500	K82581TD/K82950	0.44	1.52	2.27	1.49	32.6
152.4	6	222.25	8.75	100.01	3.9374	46.83	1.8437	76.2	3	3.5	0.8	590	1200	1300	1700	M231649/M231610CD	0.33	2	3	2	12.2
		254	10	142.875	5.625	66.675	2.625	111.125	4.375	7	1.5	1110	1850	940	1300	K99600/K99102CD	0.41	1.66	2.47	1.62	26.9
		298.45	11.75	107.95	4.25	111.125	4.375	44.45	1.75	3.3	3.3	1090	1720	940	1300	EE517060D/517117	0.33	2.05	3.05	2	35.7
160.325	6.312	288.925	11.375	142.875	5.625	63.5	2.5	111.125	4.375	7	1.5	1170	2170	940	1300	KHM237532/KHM237510D	0.33	2.07	3.09	2.03	37.2

Note: * stand for the maximum value of ID or OD; SP means the nonstandard assembly chamfer.

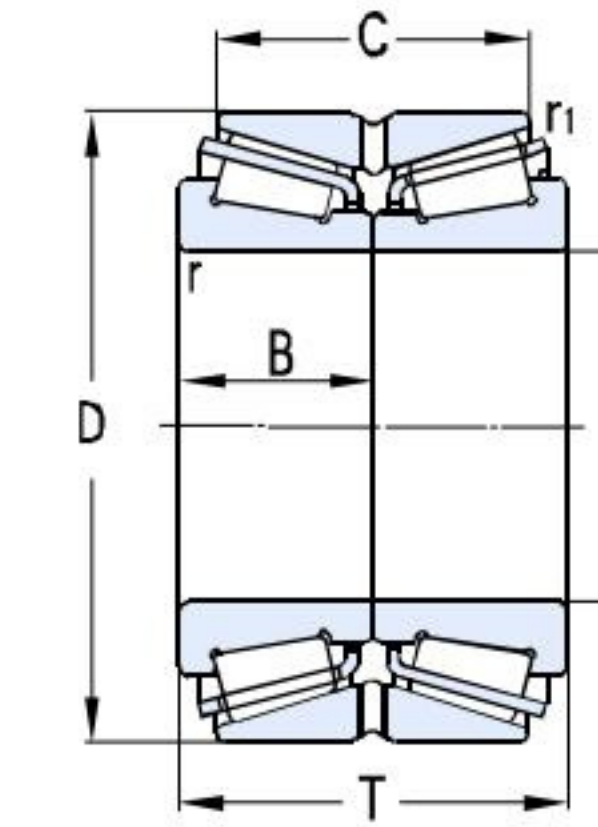
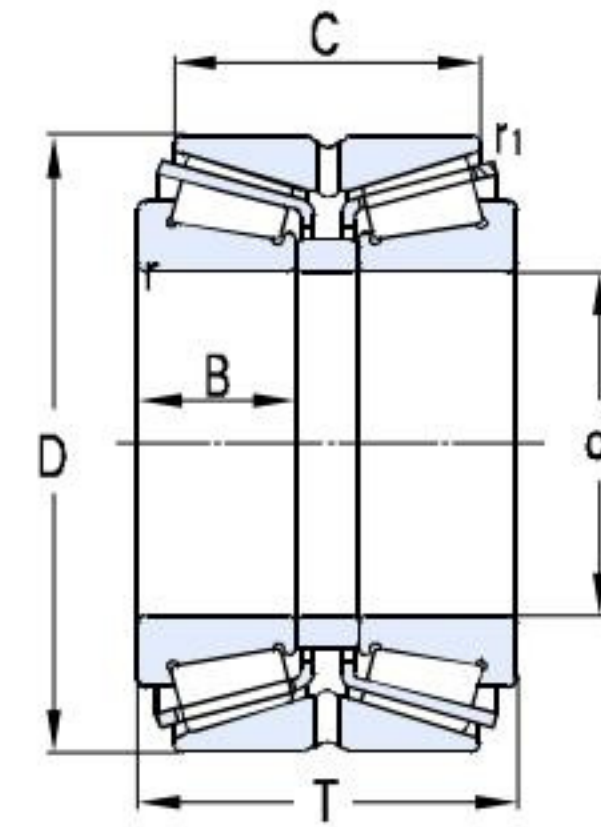
Double Row Tapered Roller Bearings (Imperial)



Basic dimensions												Basic load ratings		Limit speed		Designations	Calculation factor				Weight
d		D		T		B		C		rmin	r1min	Cr	Cor	Grease	Oil		e	Y1	Y2	Yo	
mm	in	mm	in	mm	in	mm	in	mm	in	mm	mm	KN		r/min					Kg		
161	6.3386	231.775	9.125	84.138	5.625	63.5	2.5	111.125	4.375	7	1.5	1170	2170	940	1300	KHM237532/KHM237510D	0.33	2.07	3.09	2.03	37.2
165.1	6.5	225.425	8.875	95.25	3.75	47.816	1.8825	69.85	2.75	3.5	0.8	445	1130	1150	1400	KNA46790SW/K46720D	0.38	1.78	2.65	1.74	10.4
		288.925	11.375	142.875	5.625	63.5	2.5	111.125	4.375	7	1.5	1080	1940	1000	1200	KHM237535/KHM237510CD	0.32	2.11	3.14	2.06	36.5
168.275	6.625	330.2	13	184.15	7.25	79.375	3.125	120.65	4.75	6.4	1.5	1500	2370	840	1100	KH936349/KH936310D	0.81	0.8	1.2	0.8	63.4
170*		230*		87		38		71		3	0.6	495	1100	1000	1300	KJHM534149/KJHM534110/DB	0.38	1.76	2.62	1.72	9.4
		240		101		44.5		83		3	0.8	685	1350			KJM734449/KJM734410/DB	0.44	1.52	2.27	1.49	13.2
174.625	6.875	247.65	9.75	103.188	4.0625	47.625	1.875	84.138	3.3125	3.5	0.8	710	1500	940	1300	K67787/K67720D	0.44	1.52	2.27	1.49	15.5
177.8	7	269.875	10.625	119.062	4.687	55.562	2.1875	93.662	3.6875	3.5	1.5	795	1720	940	1300	KM238840/KM238810D	0.33	2.03	3.02	1.98	22
		282.575	11.125	107.95	4.25	54.166	2.1325	79.375	3.125	3.5	1.5	700	1450	940	1300	KNA87700SW/K87112D	0.41	1.66	2.47	1.62	24
		288.925	11.375	142.875	5.625	63.5	2.5	111.125	4.375	7	1.5	1170	2170	940	1300	KHM237545/KHM237510D	0.33	2.07	3.09	2.03	36.2
		288.925	11.375	142.875	5.625	63.5	2.5	111.125	4.375	7	1.5	1010	2020	940	1300	K94700/K94114CD	0.47	1.44	2.15	1.41	34
		320.675	12.625	185.738	7.3125	85.725	3.375	138.112	5.4375	3.5	1.5	1590	2830	840	1100	KH239640/KH239612D	0.32	2.12	3.15	2.07	58.9
		320.675	12.625	185.738	7.3125	85.725	3.375	138.112	5.4375	3.5	1.5	1400	2760			KEE222070/K222127CD	0.4	1.68	2.50	1.64	61.5
		320.675	12.625	185.738	7.3125	85.725	3.375	138.112	5.4375	3.5	1.5	1590	2830	840	1100	KH239640/KH239612D	0.32	2.12	3.15	2.07	58.9
180.975		288.925		158.75		158.75		47.625		1.5	3.5	985	2020	940	1300	K94713TD/K94113	0.47	1.44	2.15	1.41	39.8
187.325	7.375	269.875	10.625	119.062	4.687	55.562	2.187	93.662	3.687	3.5	1.5	795	1720	940	1300	KM238849/KM238810DC	0.33	2.04	3.03	1.99	19.3
		320.675	12.625	185.738	7.3125	85.725	3.375	138.112	5.4375	5.5	1.5	1590	2830	850	1100	KH239649/KH239612CD	0.32	2.12	3.15	2.07	55.4
190	7.48	260	10.236	102	4.016	44	1.732	83	3.268	8	1	630	1460	940	1300	KJM738249A/KJM738210/DB	0.477	1.41	2.11	1.38	14.1
190.5	7.5	266.7	10.5	90.488	3.5625	89.695	3.5313	38.1	1.5	1.5	3.5	615	1520	940	1300	K67885DW/K67820	0.48	1.41	2.11	1.38	15.9
		266.7	10.5	109.538	4.313	54.961	2.1638	84.138	3.3125	3.5	0.8	615	1520	940	1300	KNA67885SW/K67820D	0.48	1.41	2.11	1.38	15.3
		368.3		193.675		88.897		136.525		6.4	1.5	1680	2900	700	950	KEE420751/K421451CD	0.4	1.68	2.50	1.64	84
200.025	7.875	317.5	12.5	146.05	5.75	63.5	2.5	111.125	4.375	4.3	1.5	1035	2270	840	1100	K93787/K93127D	0.52	1.29	1.92	1.26	40.8
		384.175	15.125	238.125	9.375	112.712	4.4375	193.675	7.625	6.4	1.5	2320	5080	690	920	KH247535/KH247510CD	0.33	2.03	3.02	1.98	112
203.2	8	276.225	10.875	95.25	3.75	47.816	1.8825	73.025	2.875	3.5	0.8	610	1440	940	1300	KLM241149NW/KLM241110D	0.32	2.12	3.15	2.07	15.3
		317.5	12.5	146.05	5.75	63.5	2.5	111.125	4.375	4.3	1.5	1035	2270	840	1100	K93800/K93127D	0.52	1.29	1.92	1.26	39.8
		368.3	14.5	158.75	6.25	152.4	6	152.4	6	3.3	3.3	1780	3300	840	1100	EE420800D/421450	0.4	1.7	2.5	1.6	75.2

Note: * stand for the maximum value of ID or OD; SP means the nonstandard assembly chamfer.

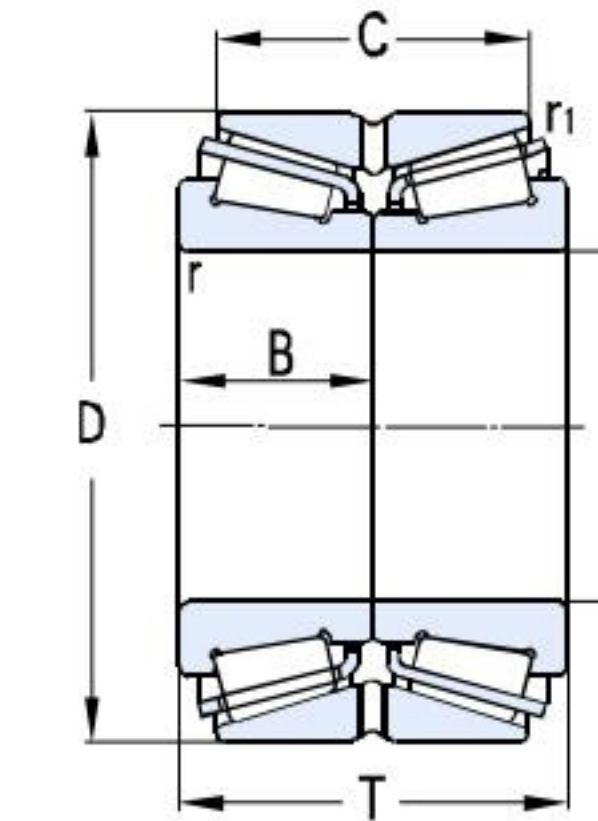
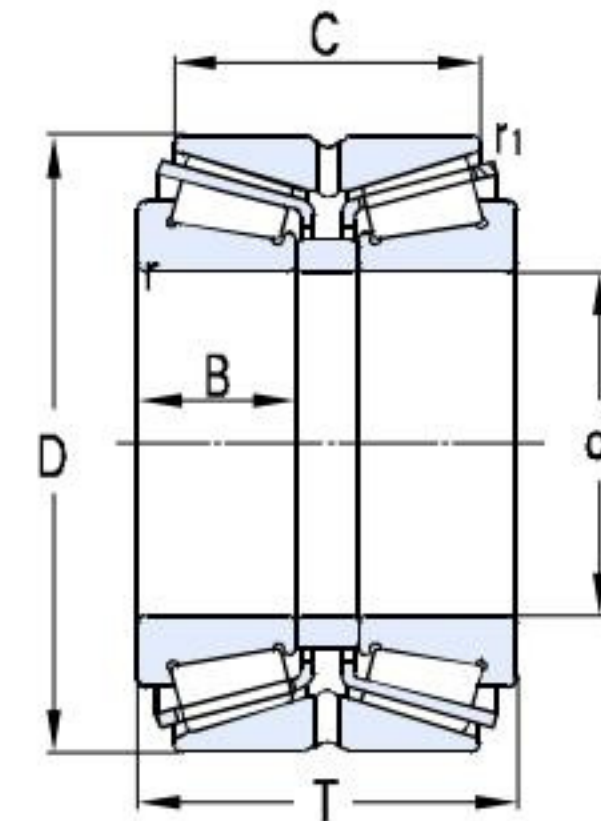
Double Row Tapered Roller Bearings (Imperial)



Basic dimensions												Basic load ratings		Limit speed		Designations	Calculation factor				Weight
d		D		T		B		C		rmin	r1min	Cr	Cor	Grease	Oil		e	Y1	Y2	Yo	
mm	in	mm	in	mm	in	mm	in	mm	in	mm		KN		r/min							Kg
		368.3	14.5	193.675	7.625	88.897	3.4999	136.525	5.375	3.3	1.5	1680	2900	840	1000	EE420801/421451CD	0.4	1.69	2.52	1.65	78.8
212.725		285.75	11.25	98.425	3.875	46.038	1.8125	98.52	3	3.5	0.8	630	1630	670	900	KLM742745/KLM742710CD	0.48	1.41	2.09	1.38	16.9
220.662	8.6875	314.325	12.375	131.762	5.1875	61.912	2.4375	106.362	4.1875	6.4	1.5	1050	2450	760	1000	KM244249/KM244210D	0.33	2.03	3.02	1.98	30.5
		314.325	12.375	131.762	5.1875	61.912	2.4375	106.362	4.1875	6.4	1.5	1050	2300	760	1000	M244249/M244210CD	0.33	2.03	3.02	1.98	30.5
234.95	9.25	327.025	12.875	93.662	3.688	93.662	3.6875	36.512	1.437	1.5	3.3	805	1860	760	1000	8576DW/8520	0.41	1.66	2.47	1.62	25
		327.025	12.875	114.3	4.5	52.388	2.0625	82.55	3.25	6.4	1.5	790	1830	760	1000	K8575/K8520CD	0.41	1.66	2.47	1.62	26.9
		348.175	13.708	238.125	9.375	112.712	4.4375	193.675	7.625	6.4	1.5	2320	5080	750	950	KH247549/KH247510D	0.33	2.03	3.02	1.98	111
237.33		358.775	14.125	152.4	6	71.438	2.8125	117.475	4.625	6.4	1.5	1530	3090	750	950	KRM249736/M249710CD	0.33	2.03	3.02	1.98	53.2
228.6	9	327.025	12.875	114.3	4.5	52.388	2.0625	82.55	3.25	6.4	1.5	790	1830	760	1000	K8573/K8520CD	0.41	1.66	2.47	1.62	28.9
		355.6	14	152.4	6	69.85	2.75	114.3	4.5	6.4	1.5	1300	2700	760	1000	KHM746646/KHM746610CD	0.47	1.44	2.15	1.41	52.4
		355.6	14	152.4	6	69.85	2.75	111.125	4.375	6.8	1.5	1200	2500	760	1000	KEE130902/K131401CD	0.33	2.03	3.02	1.98	50.2
		488.95	19.25	254	10	111.125	4.375	152.4	6	6.4	1.5	2800	4450	630	840	HH949549/HH949510D	0.94	0.7	1.1	0.7	203
		488.95	19.25	254	10	120.65	4.75	196.85	7.75	6.4	1.5	2910	5650	630	840	KEE295950/K295192D	0.31	2.18	3.24	2.13	217
241.3	9.5	327.025	12.875	114.3	4.5	52.388	2.0625	82.55	3.25	6.4	1.5	790	1830	760	1000	K8578/K8520DC	0.41	1.66	2.47	1.62	25
		406.4	16	215.9	8.5	100.012		184.15		6.4	1.5	2390	4950	760	1000	KH249148/KH249111CD	0.33	2.03	3.02	1.98	110
		444.5	17.5	209.55	8.25	100.012	3.9375	158.75	6.25	6.4	1.5	2480	4650	760	1000	KEE923095/K923176D	0.34	2	2.98	1.96	135
247.65	9.75	406.4	16	215.9	8.5	219.075	8.625	93.662	3.6875	3.3	6.4	2900	6400	760	1000	KHH249949D/KHH249910	0.33	2.03	3.15	1.98	114
249.25	9.813	381	15	171.45	6.75	76.2	3	127	5	6.4	1.5	1240	2960	690	920	KEE126098/K126151CD	0.52	1.31	1.94	1.28	63.4
254	10	347.662	13.6875	101.6	4	50.99	2.0075	69.85	2.75	3.5	1.5	825	1740	690	920	KLM249747NW/KLM249710D	0.33	2.03	3.02	1.98	25.3
		358.775	14.125	152.4	6	71.438	2.8125	117.475	4.625	3.5	1.5	1530	3090	690	920	KRM249749/M249710CD	0.33	2.03	3.02	1.98	46.9
		393.7	15.5	157.162	6.1875	69.85	2.75	109.538	4.3125	6.4	1.5	1290	2830	690	920	KEE275100/K275156D	0.4	1.68	2.5	1.64	66.4
		422.275	16.625	178.592	7.0312	79.771	3.1406	139.7	5.5	6.8	1.5	2190	4000	580	770	HM252343/HM252310D	0.33	2	3	2	98
		431.724	16.997	173.038	6.813	86.519	3.4063	128.588	5.0625	6.4	1.6	1130	1760	630	840	NA551002/551701D	0.33	2.05	3.05	2	93.1
		438.15	17.25	165.1	6.5	165	6.4961	63.5	2.5	3.3	6.4	2200	3900	580	770	EE738101DW/738172	0.35	1.92	2.86	1.88	104
		444.5	17.5	133.35	5.25	133.35	5.25	50.8	2	3.3	6.4	2070	3600	580	770	EE822101D/822175	0.33	2.06	3.06	2.01	88
		533.4	21	276.224	10.875	120.65	4.75	165.1	6.5	6.4	1.5	3350	5400	530	670	HH953749/HH953710D	0.94	1.7	1.1	0.7	258
260.35	10.25	365.125	14.375	130.175	5.125	58.738	2.3125	98.425	3.875	6.4	1.5	975	2200	670	900	EE134102/134144D	0.37	1.8	2.69	1.76	37.3

Note: * stand for the maximum value of ID or OD; SP means the nonstandard assembly chamfer.

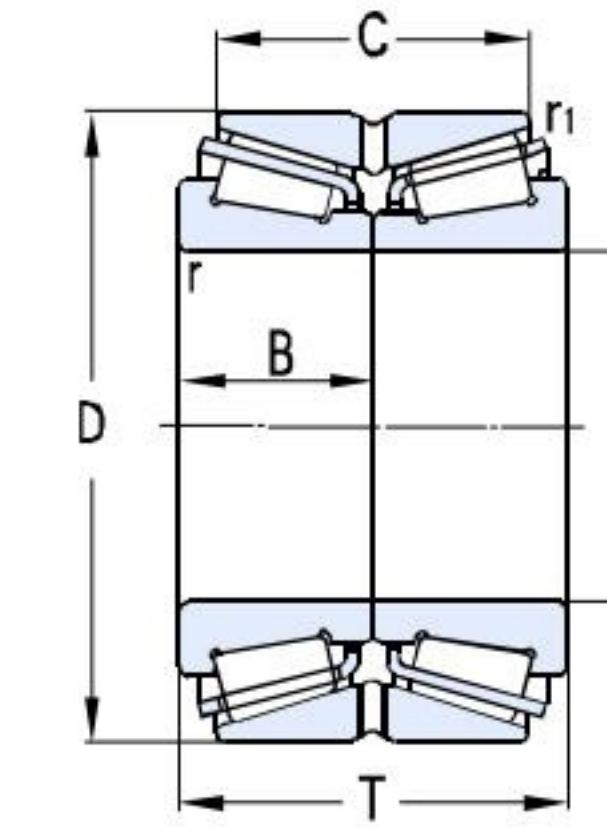
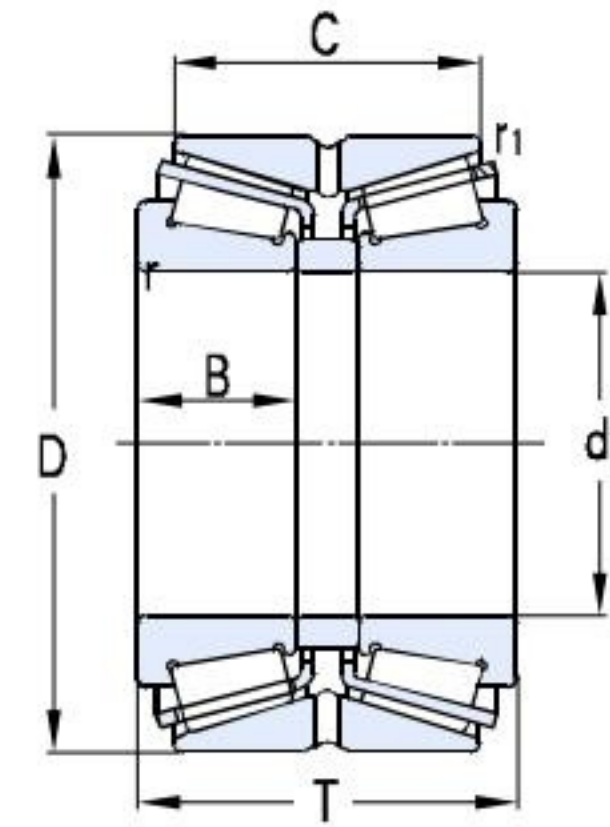
Double Row Tapered Roller Bearings (Imperial)



Basic dimensions												Basic load ratings		Limit speed		Designations	Calculation factor				Weight
d		D		T		B		C		rmin	r1min	Cr	Cor	Grease	Oil		e	Y1	Y2	Yo	
mm	in	mm	in	mm	in	mm	in	mm	in	mm		KN		r/min							Kg
		400.05	15.75	155.58	6.1252	67.47	2.6563	107.95	4.25	9.7	1.5	1260	2500	670	900	0.39	1.71	2.54	1.67	61.7	
		406.4	16	155.575	6.125	152.4	6	66.675	2.625	3.3	6.4	1620	3520	670	900	0.33	2.03	3.02	1.98	79.9	
		422.275	16.625	178.592	7.0312	79.771	3.1406	139.7	5.5	6.8	1.5	1760	3750	670	900	0.33	2.03	3.02	1.98	89.1	
		444.5	17.5	196.85	7.75	196.85	7.75	73.025	2.875	6.4	5	2560	5050	670	900	0.55	1.23	1.83	1.2	126	
266.7	10.5	352.425	13.875	107.95	4.25	54.166	2.1325	82.55	3.25	6.4	1.5	840	1780	670	900	0.32	2.12	3.15	2.07	25.3	
		355.6	14	127	5	57.15	2.25	101.6	4	3.5	1.5	1080	2700	670	900	0.36	1.88	2.79	1.83	32.8	
269.875	10.625	381	15	136.525	5.375	136.525	5.375	57.15	2.25	3.3	3.3	1760	3700	630	840	0.33	2.03	3.02	1.98	51.5	
273.05	10.75	393.7	15.5	157.162	6.1875	69.85	2.75	109.538	4.3125	6.4	1.5	1290	2830	600	800	0.4	1.68	2.5	1.64	56.3	
279.4	11	457.2	18	244.475	9.625	244.475	9.625	106.362	4.1875	1.5	6.4	3850	7400	600	800	0.33	2.03	3.02	1.98	164	
		469.9	18.5	200.025	7.875	93.662	3.6875	149.225	5.875	9.7	1.5	2740	5000	590	780	0.38	1.79	2.67	1.75	132	
		488.95	19.25	254	10	120.65	4.75	196.85	7.75	1.5	1.3	2910	5650	580	770	0.31	2.18	3.45	2.13	188	
279.578	11.007	380.898		117.475		117.475		49.212		1.5	3.3	1130	2830	650	900	0.43	1.57	2.34	1.53	39.2	
279.982	11.023	380.898	14.996	139.7	5.5	65.088	2.563	107.95	4.25	3.5	1.5	1035	2830	620	850	0.43				41.6	
280.192	11.0312	406.4	16	149.226	5.875	67.673	2.6643	117.475	4.625	6.8	1.5	1320	2950	600	800	0.39	1.71	2.54	1.67	56.7	
285.75		380.898		139.7		65.088		107.95		3.5	1.5	1130	2830	600	800	0.43	1.57	2.34	1.53	39.2	
288.925	11.375	406.4	16	144.462	5.688	144.462	5.6875	60.325	2.375	3.3	1.5	1790	4200	580	770	0.34	2	2.98	1.96	61.66	
		406.4	16	144.462	5.688	144.462	5.6875	60.325	2.375	3.3	3.3	1720	4150	580	770	0.34	2	2.98	1.96	63.3	
		406.6	16	165.1	6.5	77.788	3.0625	130.175	5.125	6.4	1	1720	4150	580	770	0.34	2	2.98	1.96	64.1	
		406.4	16	144.462	5.688	144.462	5.6875	60.325	2.375	3.3	3.3	1720	4150	580	770	0.34	2	2.98	1.96	60.5	
300.038	11.8125	422.275	16.625	150.812	5.9375	150.812	5.9375	63.5	2.5	3.3	3.3	1770	4050	580	770	0.34	2	2.98	1.96	56.4	
		422.275	16.625	174.625	6.875	82.55	3.25	136.525	5.375	6.4	1.5	1720	4050	580	770	0.34	2	2.98	1.96	69.7	
303.212	11.9375	495.3	19.5	263.525	10.375	263.525	10.375	114.3	4.5	3.3	6.4	3900	8850	460	600	0.33	2	3	2	215	
304.8	12	393.7	15.5	107.95	4.25	54.166	2.1325	82.55	3.25	6.4	1.5	1070	2330	580	770	0.33	2.04	3.04	2	30.1	
		393.7	15.5	107.95	4.25	50.8	2	82.55	3.25	6.4	1.5	1070	2330	580	770	0.33	2.04	3.04	2	30.5	
		412.75	16.25	123.825	4.875	53.975	2.125	92.075	3.625	6.4	1.5	1060	2350	580	770	0.43	1.6	2.3	1.6	42.4	

Note: * stand for the maximum value of ID or OD; SP means the nonstandard assembly chamfer.

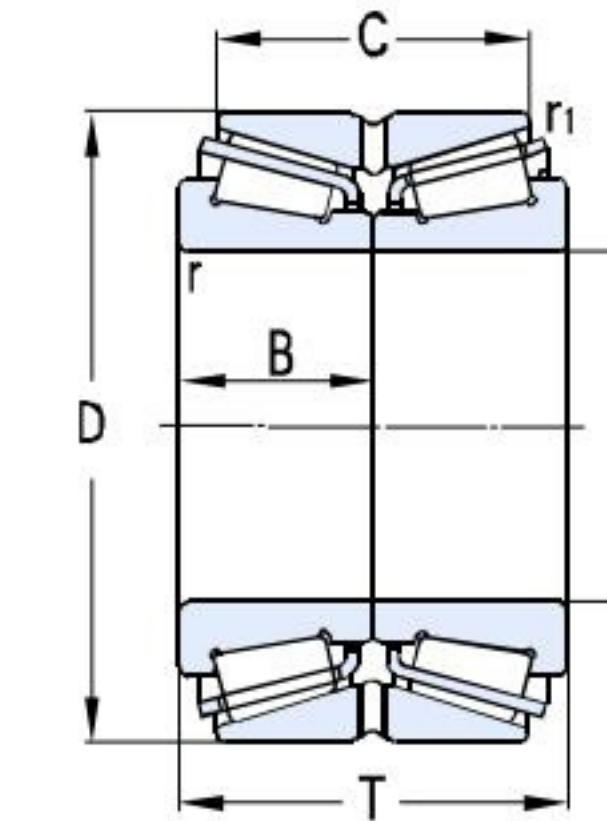
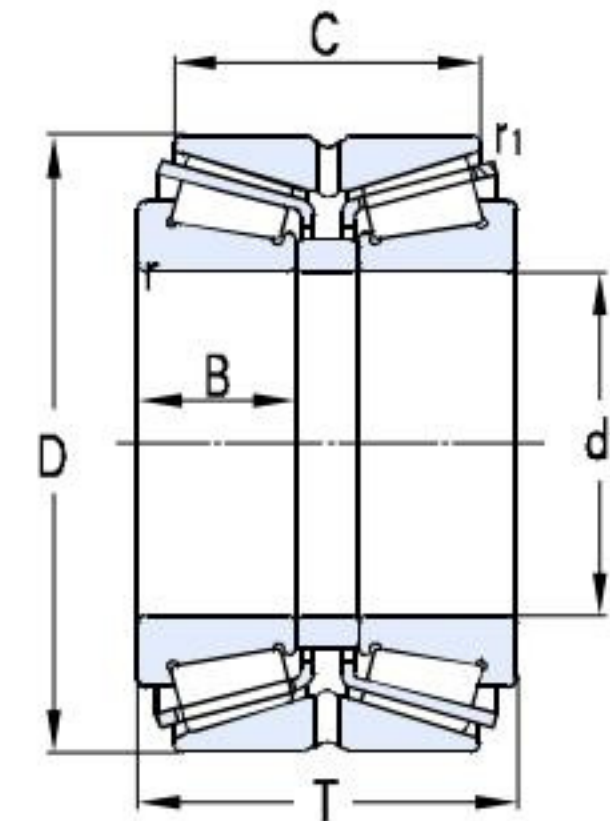
Double Row Tapered Roller Bearings (Imperial)



Basic dimensions												Basic load ratings		Limit speed		Designations	Calculation factor				Weight
d		D		T		B		C		rmin	r1min	Cr	Cor	Grease	Oil		e	Y1	Y2	Yo	
mm	in	mm	in	mm	in	mm	in	mm	in	mm		KN		r/min							Kg
		444.5	17.5	146.05	5.75	61.912	2.4375	98.425	3.875	8	1.5	1240	2770	550	700	EE291201/291751D	0.38	1.79	2.67	1.75	64.9
		495.3	19.5	168.595	6.638	74.612	2.9375	127	5	6.4	1.5	1850	3400	500	660	EE941205/941953D	0.4	1.68	2.5	1.64	115
		495.3	19.5	196.85	7.75	92.075	3.5463	146.05	5.75	16	1.5	2300	5000	500	660	EE724120/724196CD-3	0.4	1.68	2.5	1.64	139
		501.65	19.75	161.922	6.3749	161.925	6.375	61.117	2.4062	3.3	6.4	2800	4700	500	700	HM258949D/HM258910	0.33	2	3	2	129
305.034	12.009	499.948	19.683	200.025	7.875	200.025	7.875	63.5	2.5	3.3	6.4	2430	5000	460	600	KHM959741DW/KHM959710	0.88	0.77	1.15	0.75	149
305.054	12.01	499.949	19.683	200.025	7.875	200.025	7.875			6.4	6.4	1870	3650	460	600	M959442D/M959410	1.17	0.58	0.86	0.56	145
305.07	12.0106	560	22.0472	200	7.874	200	7.874			3.3	6	2850	5250	440	540	3706/305X4-1	0.88	0.77	1.15	0.8	199
311.15	12.25	558.8	22	190.5	7.5	82.55	3.25	111.125	4.375	9.7	3.3	2130	4140	440	540	EE148122/148220D	0.88				184
317.5	12.5	444.5	17.5	146.05	5.75	61.912	2.4375	98.425	3.875	8	1.5	1240	2770	490	650	KEE291250/K291751CD	0.38	1.79	2.67	1.75	59.0
		447.675	17.625	158.75	6.25	158.75	6.25	158.75	6.25	3.3	3.3	1810	4150	490	650	HM259049D/HM259010	0.33	2.03	3.02	1.98	80.7
		447.675	17.625	180.975	7.125	85.725	3.375	146.05	5.75	3.5	1.5	1800	4650	490	650	KHM259049/KHM259010CD	0.33	2	3	2	85.4
330.2	13	482.6	19	177.8	7	80.167	3.1562	127	5	3.3	1.5	2180	4900	480	630	EE526132/526191D	0.4	1.7	2.5	1.6	101
333.375	13.125	469.9	18.5	166.688	6.5625	166.688	6.5625	71.438	2.8125	3.3	3.3	2470	5900	480	630	HM261049DW/HM261010	0.33	2	3	2	92.8
		469.9	18.5	190.5	7.5	90.488	3.5625	152.4	6	6.4	1.5	2470	5900	480	630	HM261049/HM261010CD	0.33	2	3	2	98.2
342.9	13.5	457.098	17.996	142.875	5.625	63.5	2.5	101.6	4	3.3	1.5	1300	3550	480	630	KLM961548/KLM961511D	0.7	0.97	1.44	0.94	44.8
		457.098	17.996	142.875	5.625	63.5	2.5	104.775	4.125	3.6	1.6	1300	3500	480	630	KLM961548A6/KLM961511DX2A6	0.7	0.97	1.44	0.94	45
		533.4	21	139.7	5.5	146.05	5.75	50.8	2	3.3	3.3	2300	4350	420	560	EE971355D/972100	0.33	2	3	2	116
		533.4	21	174.625	6.875	76.2	3	123.825	4.875	4.8	1.5	2300	4350	420	560	EE971354/972103D	0.33	2	3	2	128
343.154		450.85		189.35		66.675		52.388		8.5	1	1320	3500	480	630	KLM361649A/KLM361610/DB	0.35	1.93	2.87	1.89	59.2
343.052	13.506	457.098	17.996	122.238	4.8125	122.238	4.8125	49.212	1.9375	1.5	3.3	1480	3350	480	630	LM761649DGW/LM761610	0.48	1.4	2.1	1.4	53.6
346.075	13.625	488.95	19.25	104.775	4.125	95.25	3.75			6.4	1.5	1090	2680	480	630	3706/346X4	0.5	1.35	2	1.3	62.3
		488.95	19.25	174.625	6.875	174.625	6.875	74.612	2.937	3.3	3.3	2420	5800	480	630	HM262749TD/HM262710D	0.34	1.99	2.96	1.95	102
		488.95	19.25	174.625	6.875	174.625	6.875	74.612	2.937	3.3	3.3	2400	5800	480	630	KHM262749D/KHM262710	0.33	2	3	2	97.8
		488.95	19.25	200.025	7.875	95.25	3.75	158.75	6.25	6.4	1.5	2560	6450	480	630	HM262749SH/HM262710CDSH	0.33	2	3	2	114
		488.95	19.25	200.025	7.875	95.25	3.75	158.75	6.25	6.4	1.5	2400	5800	480	630	HM262749/HM262710D	0.33	2	3	2	108

Note: * stand for the maximum value of ID or OD; SP means the nonstandard assembly chamfer.

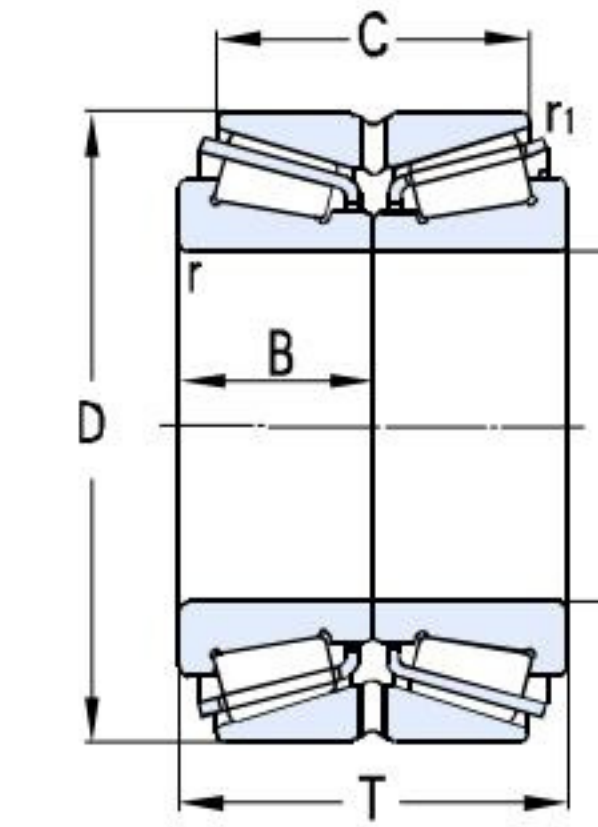
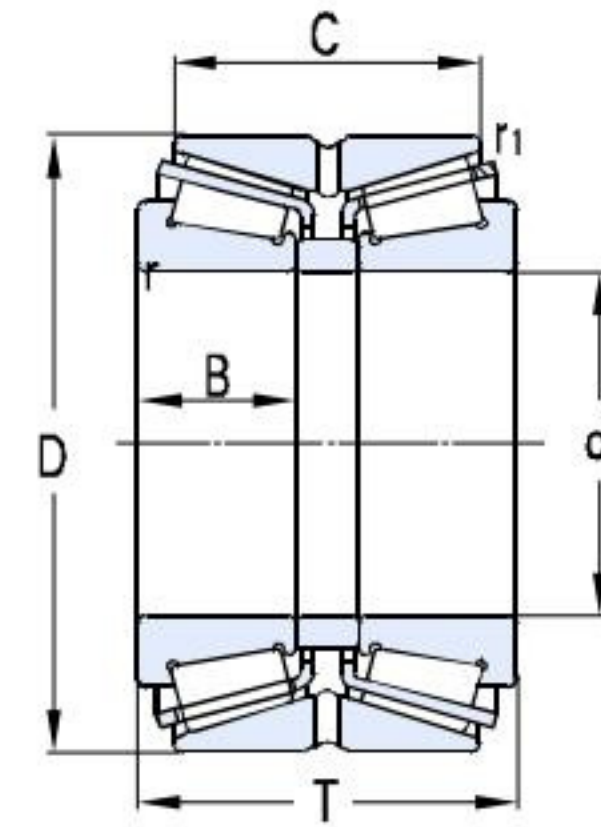
Double Row Tapered Roller Bearings (Imperial)



Basic dimensions												Basic load ratings		Limit speed		Designations	Calculation factor				Weight
d		D		T		B		C		rmin	r1min	Cr	Cor	Grease	Oil		e	Y1	Y2	Yo	Kg
mm	in	mm	in	mm	in	mm	in	mm	in	mm	mm	KN		r/min							
355.6	14	444.5	17.5	136.524	5.375	60.325	2.375	111.125	4.375	3.5	1.5	1110	3450	460	600	L163149/L163110CD KEE231400/K231976CDX2 EE333140/333203CD	0.31	2.2	3.27	2.15	46.1
		501.65	19.75	145.05	5.7106	61.413	2.4178	107.95	4.25	6.4	1.5	1410	3450	420	560		0.44	1.53	2.28	1.5	83.4
		514.35	20.25	193.675	7.625	84.138	3.3125	152.4	6	6.4	1.5	2150	4950	410	540		0.37	1.8	2.7	1.8	120
368.249	14.498	523.875	20.625	214.312	8.4375	101.6	4	169.862	6.6875	6.4	1.5	3000	7400	410	540	HM265049/HM265010CD	0.33	2	3	2	141
368.3	14.5	523.875	20.625	185.738	7.3125	185.738	7.3125	79.375	3.125	3.3	6.4	3000	6200	410	540	HM265049DW/HM265010 EE181454DW/182350 EE181453/182351D	0.33	2	3	2	128
		596.9	23.5	165.1	6.5	158.75	6.25	60.325	2.375	6.4	6.4	3000	5800	400	520		0.4	1.7	2.5	1.6	159
		596.9	23.5	203.2	8	92.075	3.625	133.35	5.25	9.7	2.3	2640	5200	400	520		0.42	1.62	2.42	1.59	191
374.65	14.75	501.65	19.75	130.175	5.125	120.65	4.75	50.8	2	1.5	3.3	1600	4000	460	600	KLM765149DW/KLM765110	0.47	1.44	2.14	1.4	69.4
381	15	590.55	23.25	244.475	9.625	114.3	4.5	193.675	7.625	6.4	1.5	4500	6600	380	500	M268730/M268710D	0.33	2.03	3.02	1.98	247
384.175	15.125	546.1	21.5	193.675	7.625	193.675	7.625	82.55	3.25	3.3	6.4	3200	8200	410	540	HM266449TD/HM266410 HM266449DW/HM266410 HM266449D/HM266410 HM266448/HM266410CD	0.33	2.04	3.02	1.98	151
		546.1	21.5	193.675	7.625	193.675	7.625	82.55	3.25	3.3	6.4	3200	8200	410	540		0.33	2.04	3.02	1.98	151
		546.1	21.5	193.675	7.625	193.675	7.625	82.55	3.25	3.3	6.4	3200	8200	410	540		0.33	2.04	3.02	1.98	152
		546.1	21.5	222.25	8.75	104.775	4.125	177.8	7	6.4	1.5	3200	8200	410	540		0.33	2.04	3.02	1.98	161
385.762	15.1875	514.35	20.25	177.8	4.6378	82.55	3.25	139.7	5.5	6.4	1.5	2050	5600	450	680	LM665949/LM665910CD	0.42	1.62	2.42	1.59	100
390*		570*		180		180		63		1.5	4	2190	5230	400	520	KJM966748DW/KJM966710	0.83	0.8	1.2	0.8	158
393.7	15.5	546.1	21.5	138.112	5.4375	138.112	5.4375	53.975	2.125	1.5	6.4	2150	4650	410	540	LM767745D/LM767710/YB2	0.47	1.42	2.12	1.39	100
406.4	16	539.75	21.25	142.875	5.625			101.6	4	6.4	1.5	1620	4350	410	540	3506/406.4 3706/406.4 EE833161XD/833232/YB2	0.48	1.4	2.1	1.4	82.6
		546.1	21.5	138.113	5.4375	138.113	5.4375			1.5	6.4	2080	5000	410	540		0.48	1.4	2.1	1.4	88.6
		590.55	23.25	193.674	7.625	193.675	7.625	80.692	3.1769	3.3	6.4	3600	7100	410	540		0.33	2.03	3.02	1.98	186
408.4	16.0787	546.1	21.5	120	4.7244	98	3.8583	98	3.8583	1	3	1480	3400	410	540	3706/408.4	0.88	0.77	1.15	0.8	76.3
409.575	16.125	546.1	21.5	161.925	6.375	161.925	6.375	66.675	2.625	1.5	6.4	2800	8500	410	540	M667947D/M667910 KM667947D/KM667910 M270730/M270710CD	0.43	1.6	2.3	1.6	104
		546.1	21.5	161.925	6.375	161.925	6.375	66.675	2.625	1.5	6.4	2800	6550	410	540		0.43	1.6	2.3	1.6	104
		635	25	257.175	10.125	120.65	4.75	206.375	8.125	6.4	1.5	4650	10300	380	500		0.33	2	3	2	300
415.925	16.375	590.55	23.25	209.55	8.25	209.55	8.25	88.9	3.5	3.3	6.4	3960	8400	410	540	M268749DW/M268710 M268749/M268710DC/HE	0.33	2.03	3.02	1.98	179
		590.55	23.25	244.475	9.625	114.3	4.5	193.675	7.625	6.4	1.5	3250	8550	380	500		0.33	2.03	3.02	1.98	205

Note: * stand for the maximum value of ID or OD; SP means the nonstandard assembly chamfer.

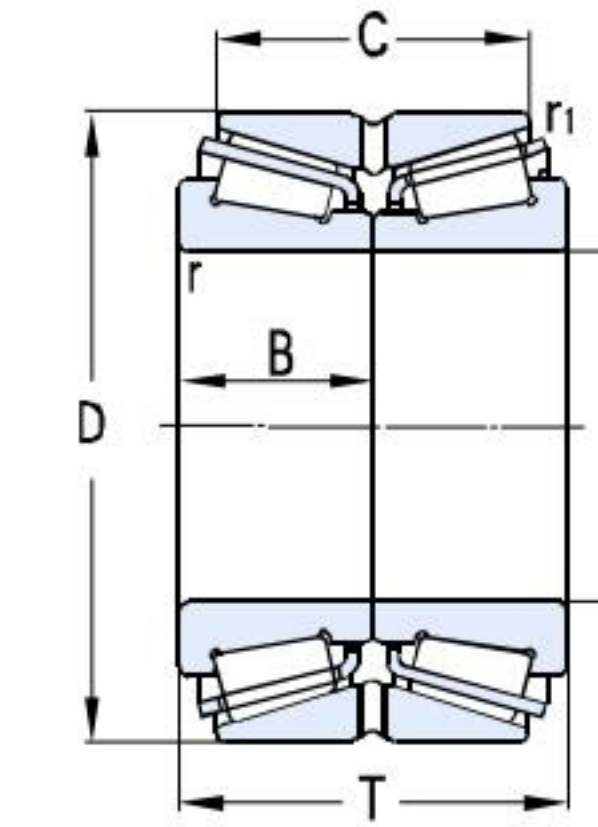
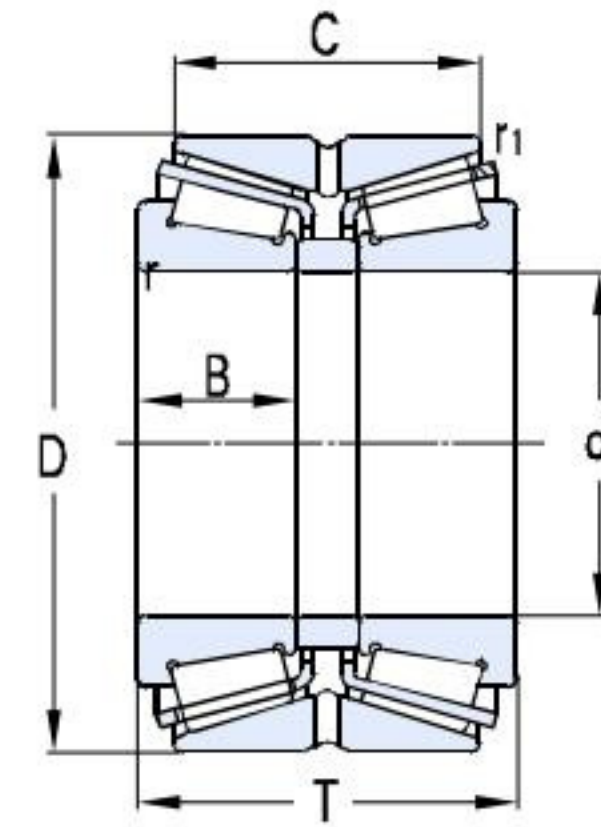
Double Row Tapered Roller Bearings (Imperial)



Basic dimensions												Basic load ratings		Limit speed		Designations	Calculation factor				Weight
d		D		T		B		C		rmin	r1min	Cr	Cor	Grease	Oil		e	Y1	Y2	Yo	
mm	in	mm	in	mm	in	mm	in	mm	in	mm	mm	KN		r/min							Kg
431.8	17	571.5	22.5	155.575	6.125	74.612	2.9375	111.125	4.375	3.3	1.5	1660	4200	410	540	LM869448/LM869410CD	0.55	1.24	1.84	1.21	102
447.675	17.625	635	25	223.838	8.8125	223.838	8.8125	95.25	3.75	3.3	6.4	3900	10300	360	480	KM270749D/KM270710	0.33	2	3	2	232
		635	25	257.175	10.125	120.65	4.75	206.375	8.125	6.4	1.5	4650	10300	360	480	M270749/M270710CD	0.33	2	3	2	247
457.2	18	596.9	23.5	165.1	6.5	73.025	2.875	120.65	4.75	9.7	1.5	1860	5000	380	500	EE244180/244236CD	0.4	1.67	2.48	1.63	109
479.425	18.875	679.45	26.75	276.225	10.875	128.588	5.0625	222.25	8.75	6.4	1.5	4180	10900	320	440	KM272749/KM272710D	0.33	2.03	3.02	1.98	307
482.6	19	615.95	24.25	184.15	7.25	85.725	3.375	146.05	5.75	6.4	1.5	2540	7510	360	480	LM272249/LM272210D	0.33	2.03	3.02	1.98	130
488.95	19.25	634.873	24.995	180.975	7.125	84.138	3.3125	136.525	5.375	6.4	1.5	2230	6250	360	480	LM772748/LM772710CD	0.47	1.43	2.12	1.4	138
489.026	19.253	634.873	24.995	152.4	6	152.4	6	63.5	2.5	3.3	3.3	2700	7300	360	480	EE243193D/243250	0.35	1.9	2.9	1.8	129
		634.873	24.995	177.8	7	80.962	3.1875	142.875	5.625	6.4	1.5	2700	7300	360	480	EE243192/243251D	0.35	1.9	2.9	1.8	129
498.475	19.625	634.873	24.995	177.8	7	80.962	3.1875	142.875	5.625	6.4	1.5	2700	7300	360	480	EE243196/243251D	0.35	1.9	2.9	1.8	124
501.65	19.75	673.1	26.5	184.15	7.25	184.15	7.25			3.3	6.4	3850	9600	340	450	3706/501X4	0.31	2.2	3.3	2.2	191
		711.2	28	250.825	9.875	250.825	9.875	103.363	4.0694	3.2	6.4	4500	13400	300	400	3706/500/HC	0.33	2	3	2	321
		711.2	28	292.1	11.5	136.525	5.375	231.775	9.125	6.4	1.5	4500	13400	300	400	M274149/M274110DC	0.33	2	3	2	355
505.181	19.889	838.2	33	266.7	10.5	104.775	4.125	104.775	4.125	6.4	9.7	5800	12000	280	360	EE426198D/426330	0.48	1.4	2.1	1.4	590
508	20	762	30	219.075	8.625	219.075	8.625	85.725	3.375	6.4	6.4	4650	10200	290	380	KEE531201D/K531300	0.38	1.78	2.09	1.74	347
		838.2	33	304.8	12	139.7	5.5	222.25	8.75	9.7	3.3	6300	13500	280	360	EE426200/426331CD	0.48	1.4	2.1	1.4	628
519.112	20.4375	736.6	29	258.672	10.1839	258.672	10.1839			3.3	6.4	5950	15300	300	400	3706/519X4	0.33	2	3	2	368
520.7	20.5	736.6	29	186.502	7.3426	81.758	3.2188	114.3	4.5	6.4	1.5	3000	6650	300	400	EE982051/982901CD	0.48	1.4	2.1	1.4	208
536.575	21.125	761.873	29.995	269.875	10.625	269.875	10.625	114.3	4.5	3.3	6.4	6200	15500	280	350	M276449DW/M276410	0.33	2	3	2	412
		761.873	29.995	311.15	12.25	146.05	5.75	247.65	9.75	6.4	1.5	5650	15000	280	350	M276449/M276410CD	0.33	2	3	2	426
558.5	21.9882	736.6	29	225.425	8.875	104.775	4.125	177.8	7	1.5	6.4	4400	12800	280	350	LM377449/LM377410CD/HE	0.35	1.92	2.86	1.88	256
558.8	22	736.6	29	187.328	7.3751			138.112	5.4375	6.4	1.5	3350	8200	280	350	3506/558.8	0.35	1.9	2.9	1.8	191

Note: * stand for the maximum value of ID or OD; SP means the nonstandard assembly chamfer.

Double Row Tapered Roller Bearings (Imperial)



Basic dimensions												Basic load ratings		Limit speed		Designations	Calculation factor				Weight
d		D		T		B		C		rmin	r1min	Cr	Cor	Grease	Oil		e	Y1	Y2	Yo	
mm	in	mm	in	mm	in	mm	in	mm	in	mm	mm	KN		r/min							Kg
	-	736.6	29	196.85	7.75	196.85	7.75	80.962	3.1875	3.3	6.4	14250	11500	280	350	LM377448D/LM377410	0.35	1.9	2.9	1.8	233
		736.6	29	225.425	8.875	104.775	4.125	177.8	7	6.4	1.5	4250	11500	280	350	LM377448/LM377410CD	0.35	1.9	2.9	1.8	151
571.5	22.5	812.8	32	285.75	11.25	285.75	11.25	120.65	4.75	3.3	6.4	7700	18000	260	330	M278749DW/M278710	0.33	2	3	2	524
		812.8	32	333.375	13.125	155.575	6.125	263.525	10.375	6.4	1.5	6400	15900	260	330	M278749/M278710D	0.33	2	3	2	521
602.945	23.738	787.4	31	206.375	8.125	93.662	3.6875	158.75	6.25	6.4	1.5	4000	10500	260	330	EE649237/649311CD	0.37	1.8	2.7	1.8	181
609.6	24	787.4	31	171.45	6.75	171.45	6.75	69.85	2.75	3.3	6.4	4000	10500	260	330	EE649241D/649310	0.37	1.8	2.7	1.8	219
		787.4	31	206.375	8.125	93.662	3.6875	158.75	6.25	6.4	1.5	4000	10500	260	330	EE649240/649311CD	0.37	1.8	2.7	1.8	233
		812.8	32	190.5	7.5	82.55	3.25	146.05	5.75	6.4	3.3	3500	8700	250	310	EE743240/743321D	0.33	2	3	2	251
		820	32.2835	171.45	6.75	171.45	6.75			3.3	6.4	4000	10500	250	310	3706/609.6	0.37	1.8	2.7	1.8	266
		820	32.2835	206.375	8.125			158.75	6.25	6.4	1.5	4000	10500	250	310	3506/609.6	0.37	1.8	2.7	1.8	293
635	25	939.8	37	304.8	12	304.8	12	107.95	4.25	3.2	6.4	6270	17000	250	330	3706/635/HC-1	0.88	0.77	1.14	0.75	762
		990.6	39	339.725	13.375			212.725	8.375	6.4	6.4	8000	15800	250	320	3506/635	0.88	0.77	1.15	0.8	841
660.4	26	812.8	32	176.212	6.9375	176.212	6.9375	73.025	2.875	3.3	6.4	3500	11100	240	300	L281149D/L281110	0.33	2	3	2	194
		812.8	32	203.2	8	95.25	3.75	158.75	6.25	6.4	1.5	3080	9900	240	300	KL281148/KL281110CD	0.33	2	3	2	212
682.625	26.875	965.2	38	338.138	13.3125	338.138	13.3125	142.875	5.625	6.4	3.3	9450	24800	220	290	M282249D/M282210	0.33	2	3	2	812
685.8	27	876.3	34.5	200.024	7.875	92.075	3.625	152.4	6	6.4	1.5	3850	10500	220	290	EE655270/655346D	0.43	1.6	2.3	1.6	271

Note: * stand for the maximum value of ID or OD; SP means the nonstandard assembly chamfer.